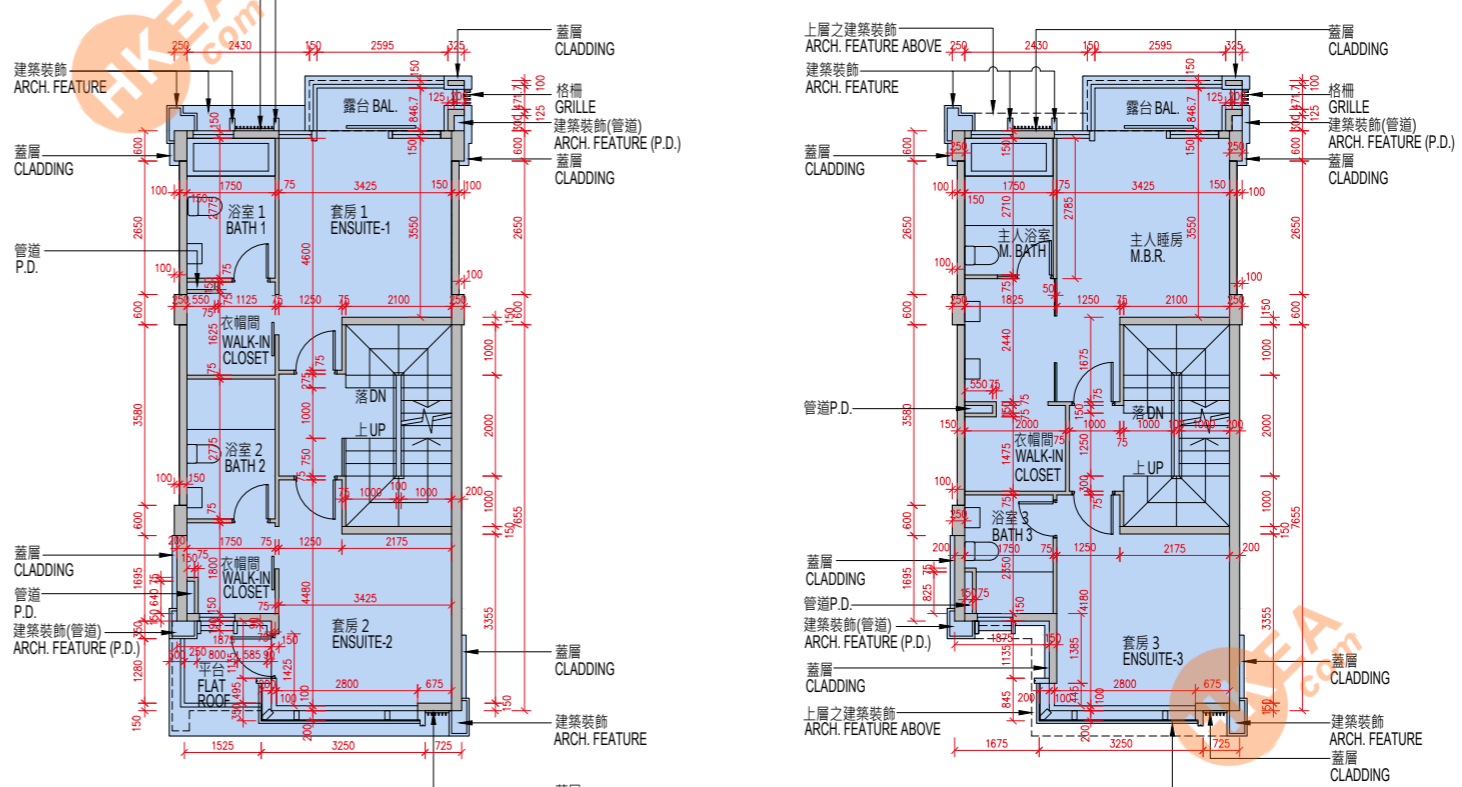
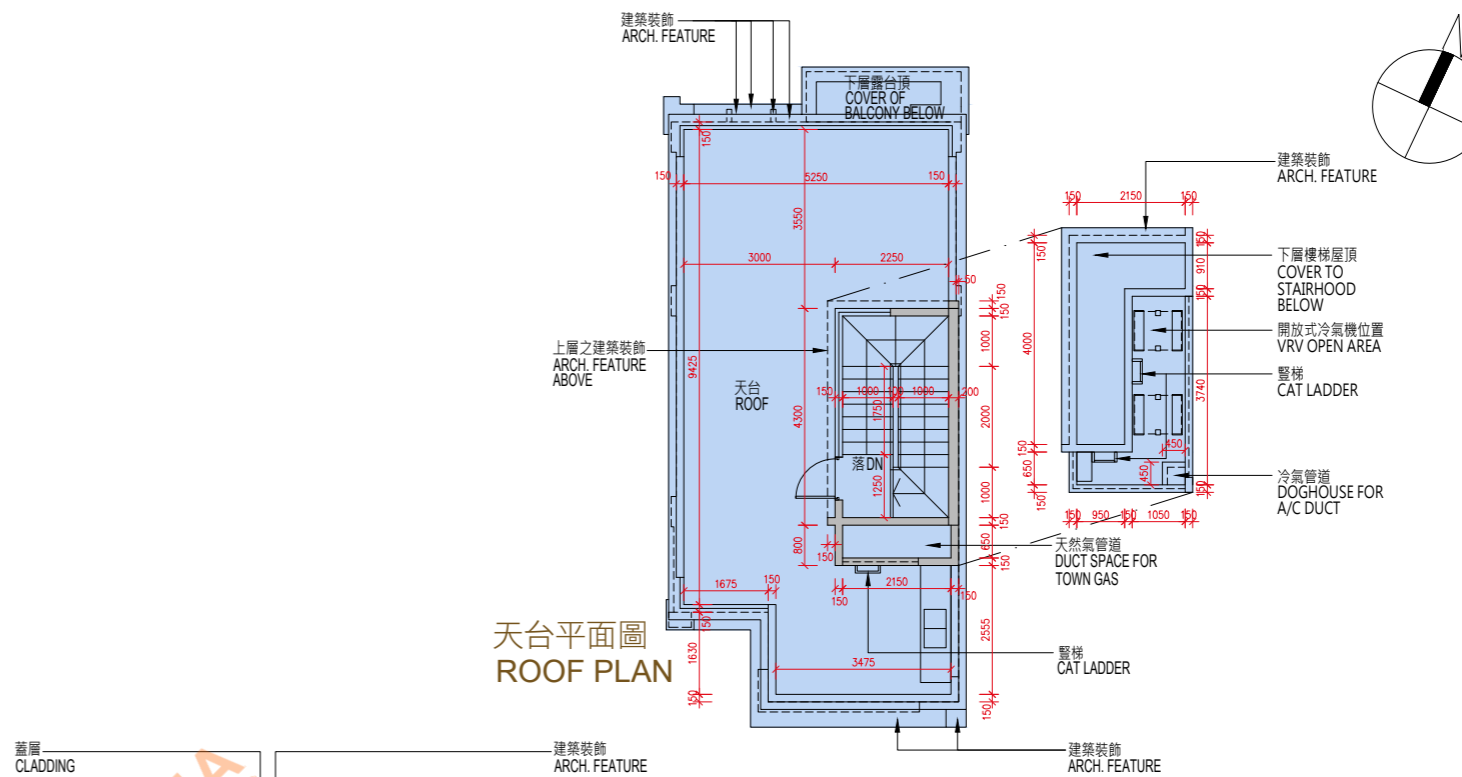
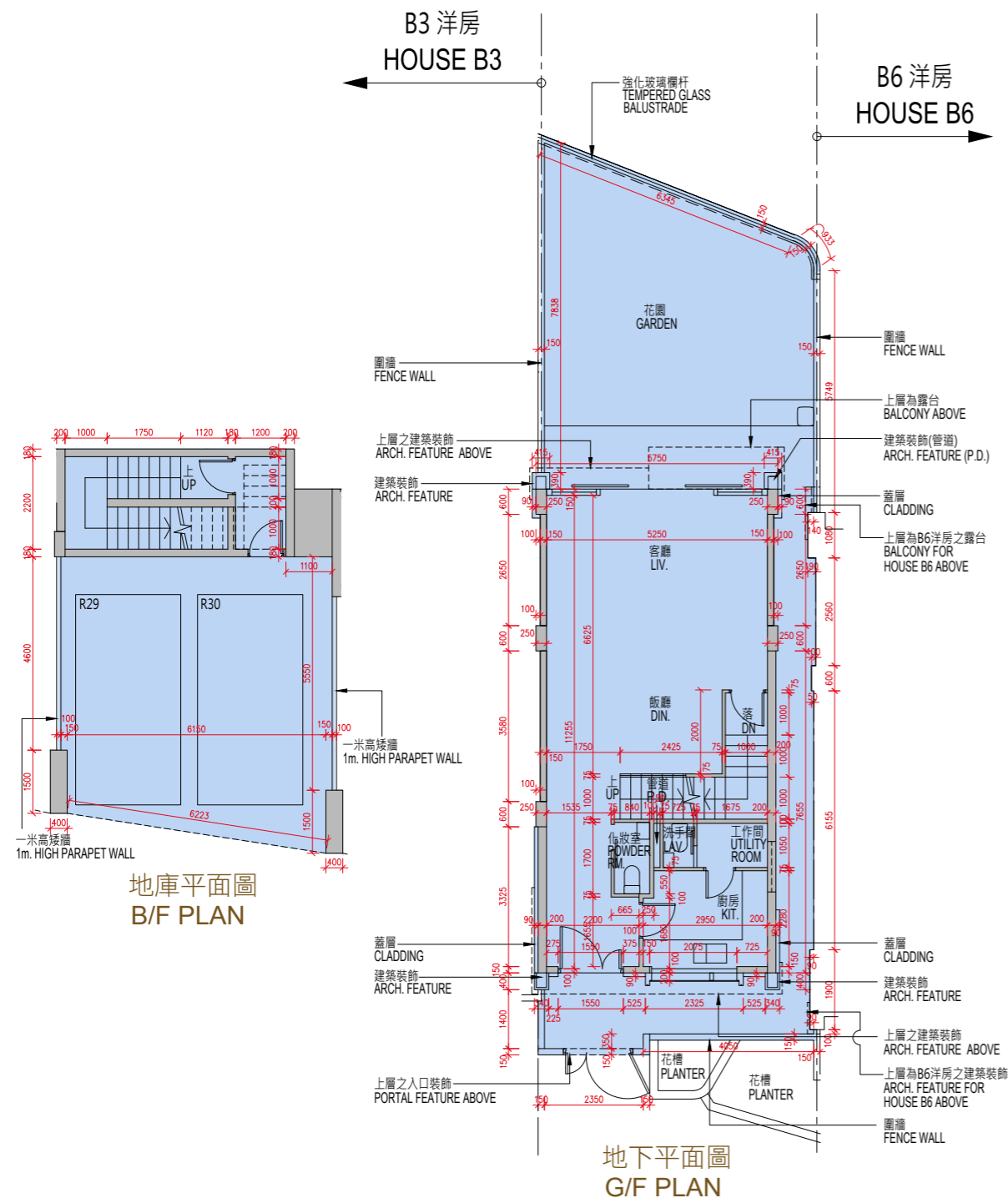




10 期數的住宅物業的樓面平面圖

FLOOR PLANS OF RESIDENTIAL PROPERTIES IN THE PHASE

洋房B5 HOUSE B5



備註：
樓面平面圖之尺規所列數字為以毫米標示之建築結構尺寸。
Note:
The dimensions of the floor plans are all structural dimensions in millimeter.

SCALE 比例 0 5 10M(米)



10 期數的住宅物業的樓面平面圖

FLOOR PLANS OF RESIDENTIAL PROPERTIES IN THE PHASE

描述 Description	樓層 Floor				
	地庫 B/F	地下 G/F	1樓 1/F	2樓 2/F	天台 Roof
每個住宅物業的樓板(不包括灰泥)的厚度 (毫米) The thickness of the floor slabs (excluding plaster) of each residential property (mm)	200	150	150 200	150	
每個住宅物業的層與層之間的高度(指該樓層之石屎地台面與上一層石屎地台面之高度距離) (米) The floor-to-floor height (refers to the height between the top surface of the structural slab of a floor and the top surface of the structural slab of its immediate upper floor) of each residential property (m)	3.35 3.95 4.05 4.45	3.70 3.90 4.00	3.40 3.45 3.50 3.60 3.75	3.50 3.55 3.60 3.80	不適用 Not applicable



1. 因住宅物業的較高樓層的結構牆的厚度遞減，較高樓層的內部面積，一般比較低樓層的內部面積稍大。
2. 以上平面圖中顯示之名詞、簡稱及其適用的附註，請參閱本售樓說明書第23頁。

1. The internal areas of the residential properties on the upper floors will generally be slightly larger than those on the lower floors because of the reducing thickness of the structural walls on the upper floors.
2. Please refer to page 23 of this sales brochure for legend of the terms and abbreviations shown on the floor plan above and the explanatory notes that are applicable thereto.