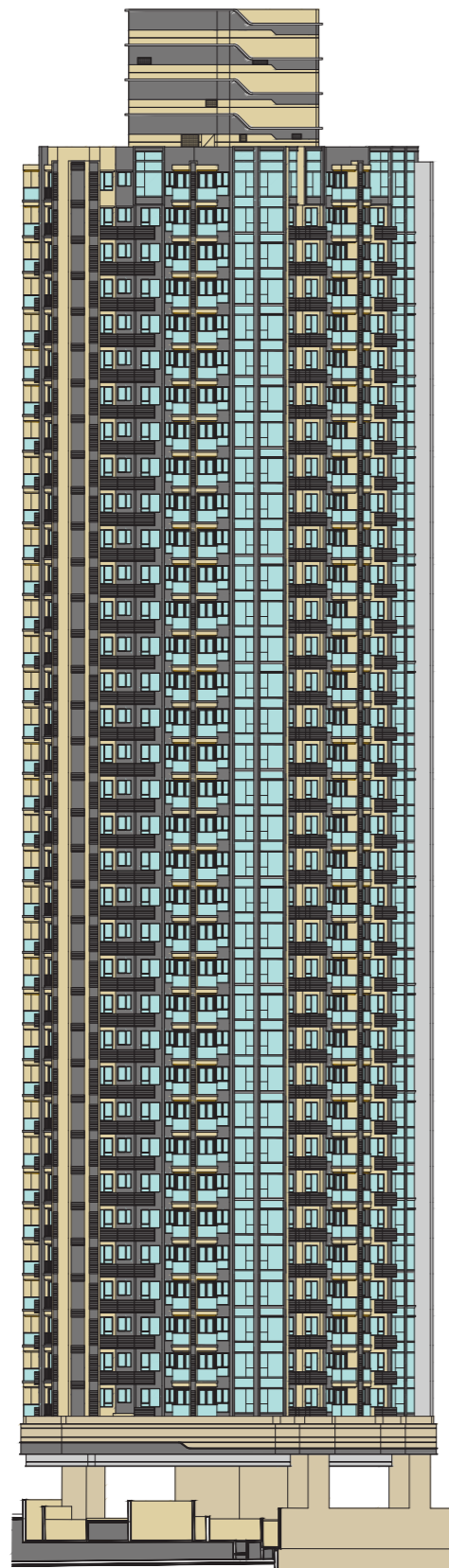


ELEVATION PLAN FOR THE PHASE

期數的立面圖



Tower 1
第1座



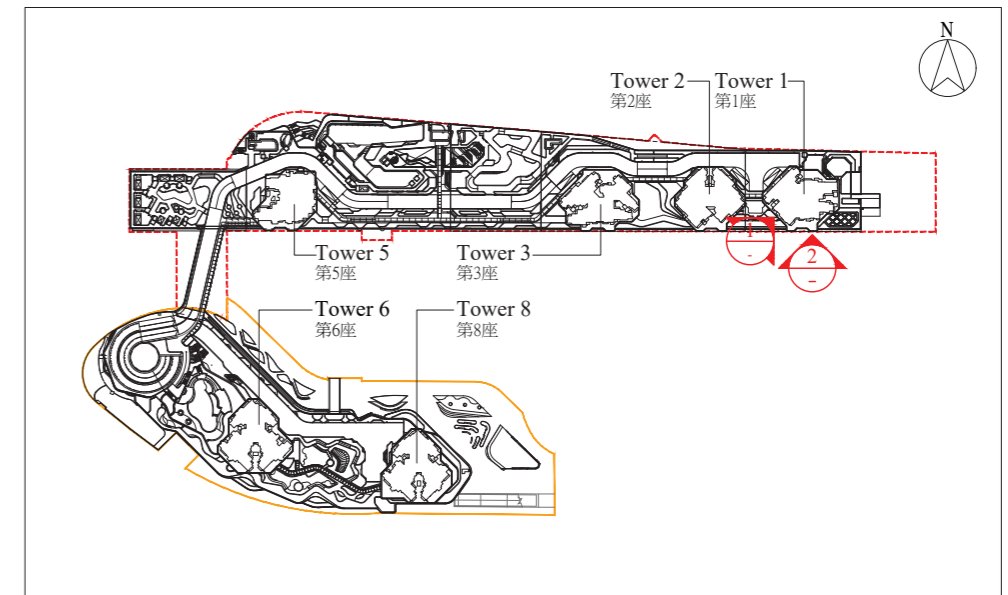
Elevation 1
立面 1

Tower 1
第1座



Elevation 2
立面 2

KEY PLAN
指示圖



- The Phase
期數
- Other Phase(s)
其他期數

Authorized Person for the Phase certified that the elevations shown on this plan:

- (a) are prepared on the basis of the approved building plans for the Phase as of 30th November 2021 ; and
- (b) are in general accordance with the outward appearance of the Phase.

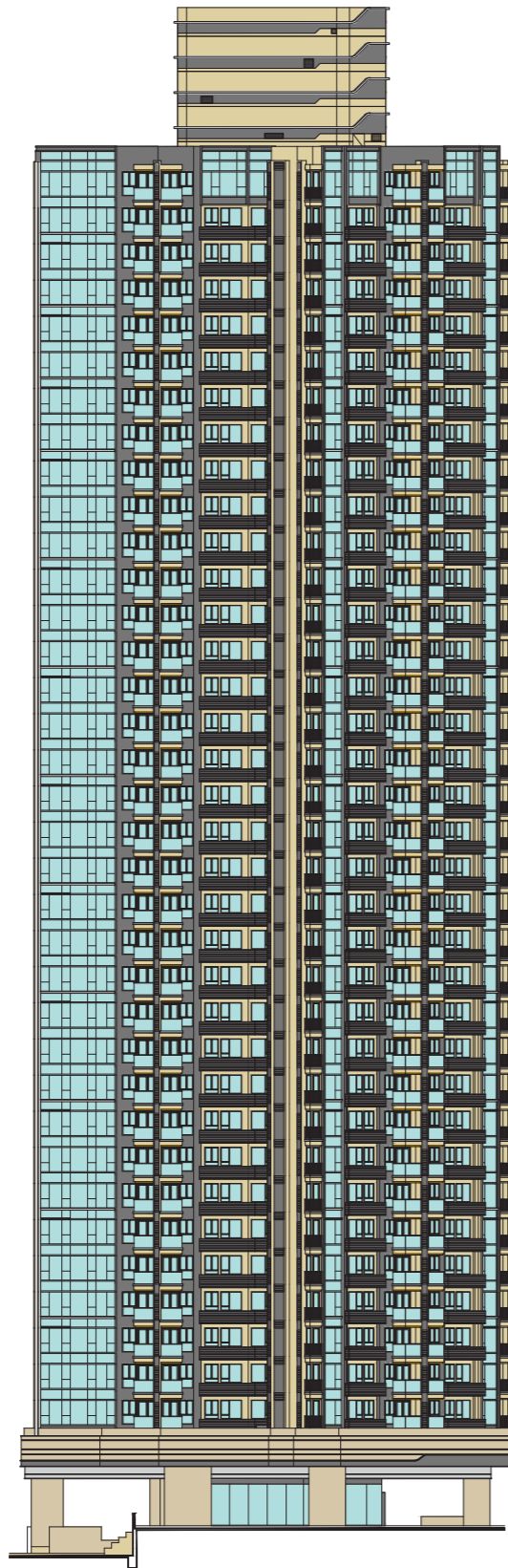
期數的認可人士證明本圖顯示的立面：

- (a) 以2021年11月30日的情況為準的期數的經批准的建築圖則為基礎擬備；及
- (b) 大致上與期數的外觀一致。

ELEVATION PLAN FOR THE PHASE
期數的立面圖



Tower 1
第1座



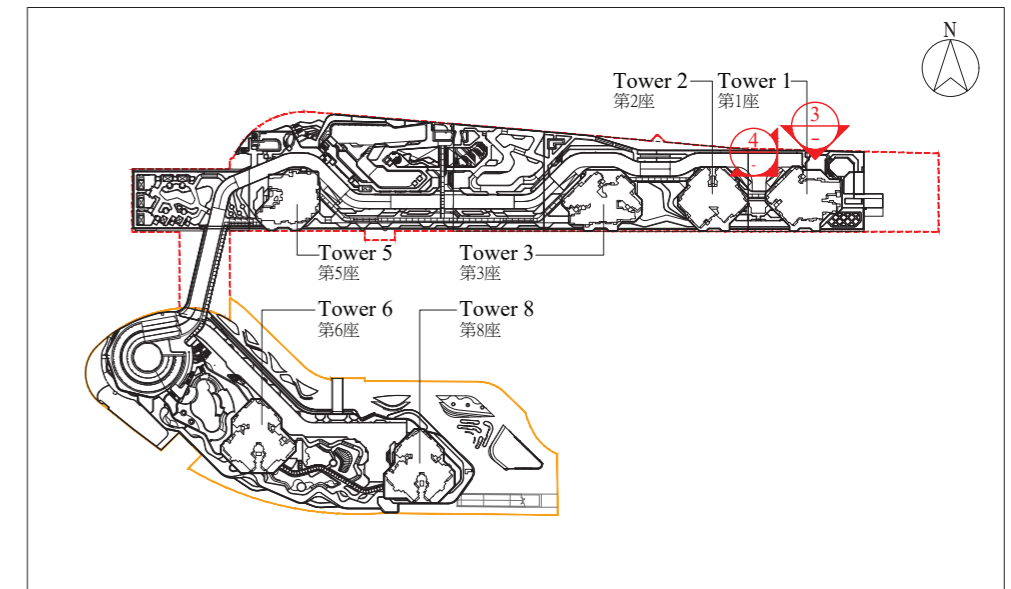
Elevation 3
立面 3

Tower 1
第1座



Elevation 4
立面 4

KEY PLAN
指示圖



- The Phase
期數
- Other Phase(s)
其他期數

Authorized Person for the Phase certified that the elevations shown on this plan:

- (a) are prepared on the basis of the approved building plans for the Phase as of 30th November 2021 ; and
- (b) are in general accordance with the outward appearance of the Phase.

期數的認可人士證明本圖顯示的立面：

- (a) 以2021年11月30日的情況為準的期數的經批准的建築圖則為基礎擬備；及
- (b) 大致上與期數的外觀一致。

ELEVATION PLAN FOR THE PHASE 期數的立面圖

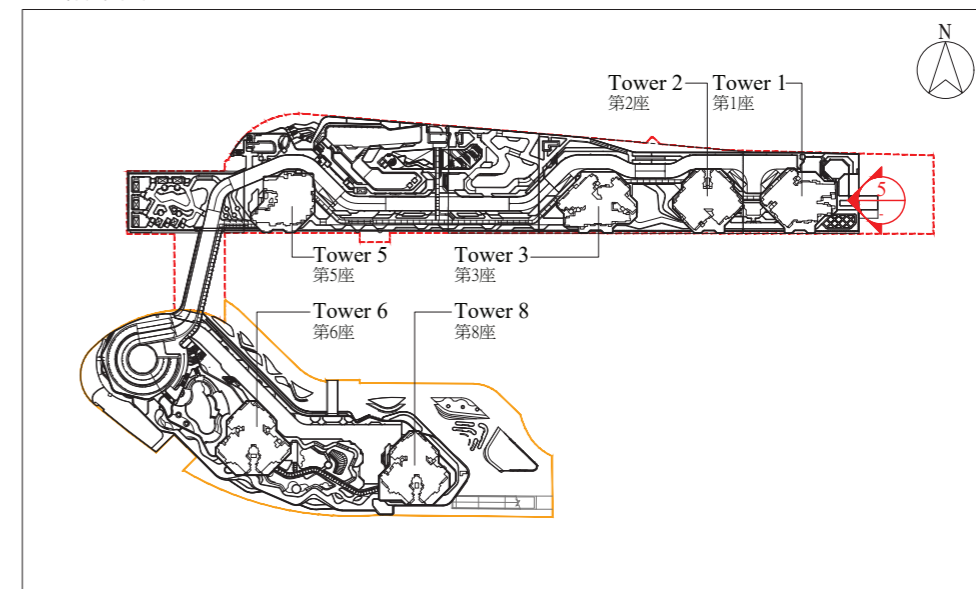
HUB

Tower 1
第1座



Elevation 5
立面 5

KEY PLAN
指示圖



- The Phase
期數
- Other Phase(s)
其他期數

Authorized Person for the Phase certified that the elevations shown on this plan:

- (a) are prepared on the basis of the approved building plans for the Phase as of 30th November 2021 ; and
- (b) are in general accordance with the outward appearance of the Phase.

期數的認可人士證明本圖顯示的立面：

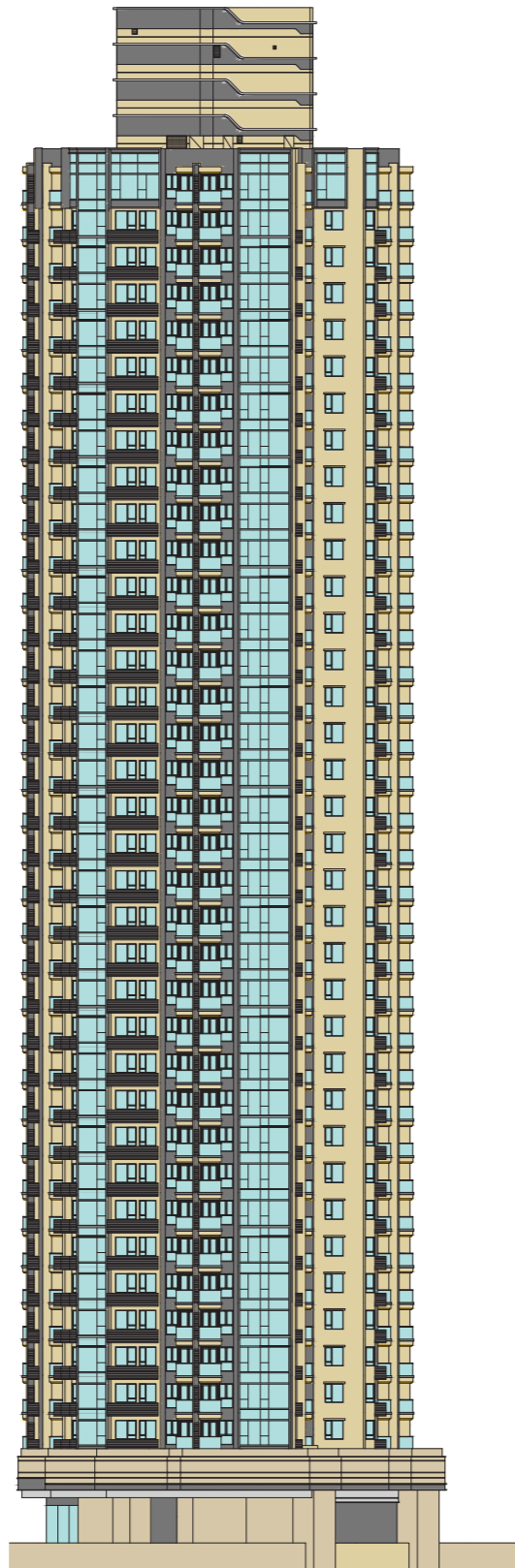
- (a) 以2021年11月30日的情況為準的期數的經批准的建築圖則為基礎擬備；及
- (b) 大致上與期數的外觀一致。

ELEVATION PLAN FOR THE PHASE

期數的立面圖

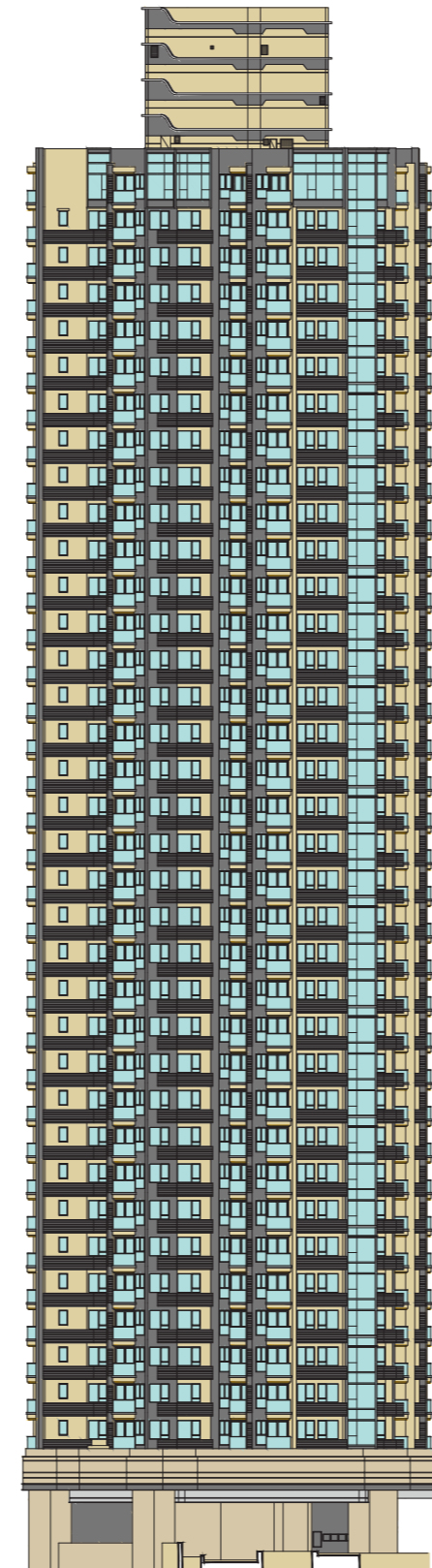


Tower 2
第 2 座



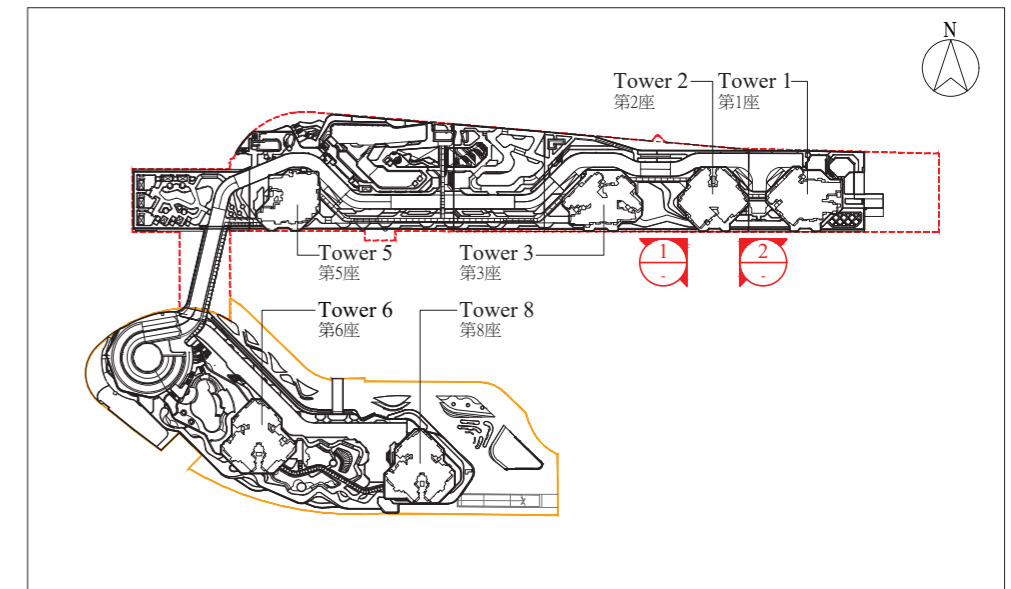
Elevation 1
立面 1

Tower 2
第 2 座



Elevation 2
立面 2

KEY PLAN
指示圖



- The Phase
期數
- Other Phase(s)
其他期數

Authorized Person for the Phase certified that the elevations shown on this plan:

- (a) are prepared on the basis of the approved building plans for the Phase as of 30th November 2021 ; and
- (b) are in general accordance with the outward appearance of the Phase.

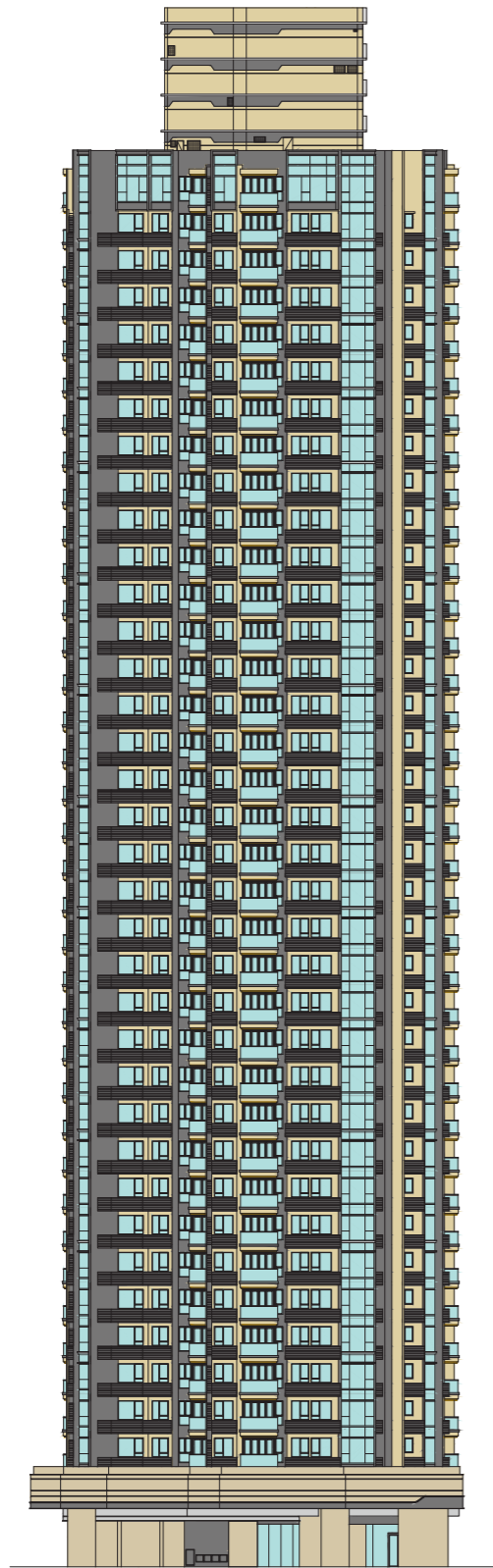
期數的認可人士證明本圖顯示的立面：

- (a) 以2021年11月30日的情況為準的期數的經批准的建築圖則為基礎擬備；及
- (b) 大致上與期數的外觀一致。

ELEVATION PLAN FOR THE PHASE 期數的立面圖



Tower 2
第2座



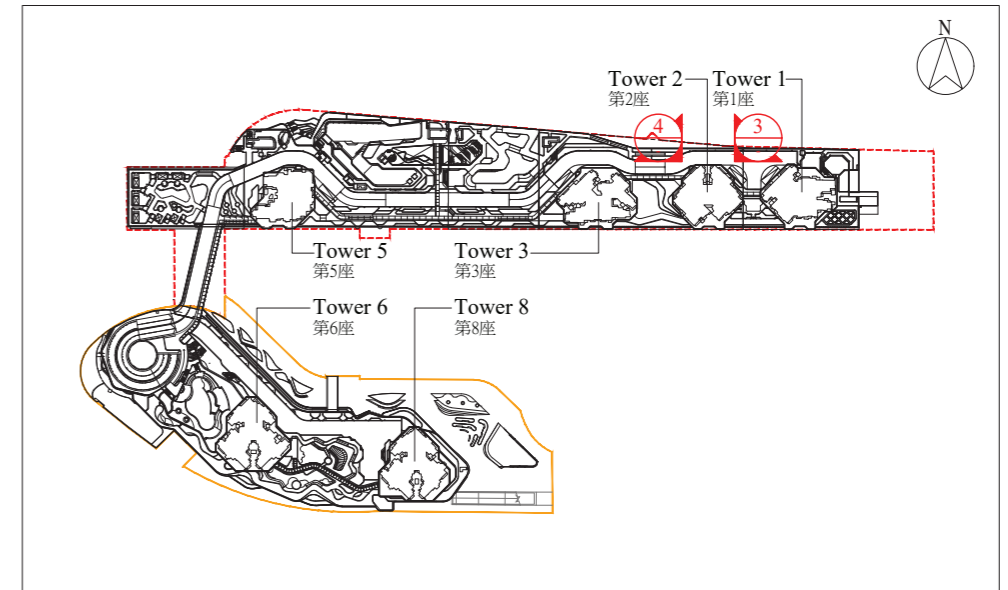
Elevation 3
立面 3

Tower 2
第2座



Elevation 4
立面 4

KEY PLAN
指示圖



- The Phase
期數
- Other Phase(s)
其他期數

Authorized Person for the Phase certified that the elevations shown on this plan:

- (a) are prepared on the basis of the approved building plans for the Phase as of 30th November 2021 ; and
- (b) are in general accordance with the outward appearance of the Phase.

期數的認可人士證明本圖顯示的立面：

- (a) 以2021年11月30日的情況為準的期數的經批准的建築圖則為基礎擬備；及
- (b) 大致上與期數的外觀一致。

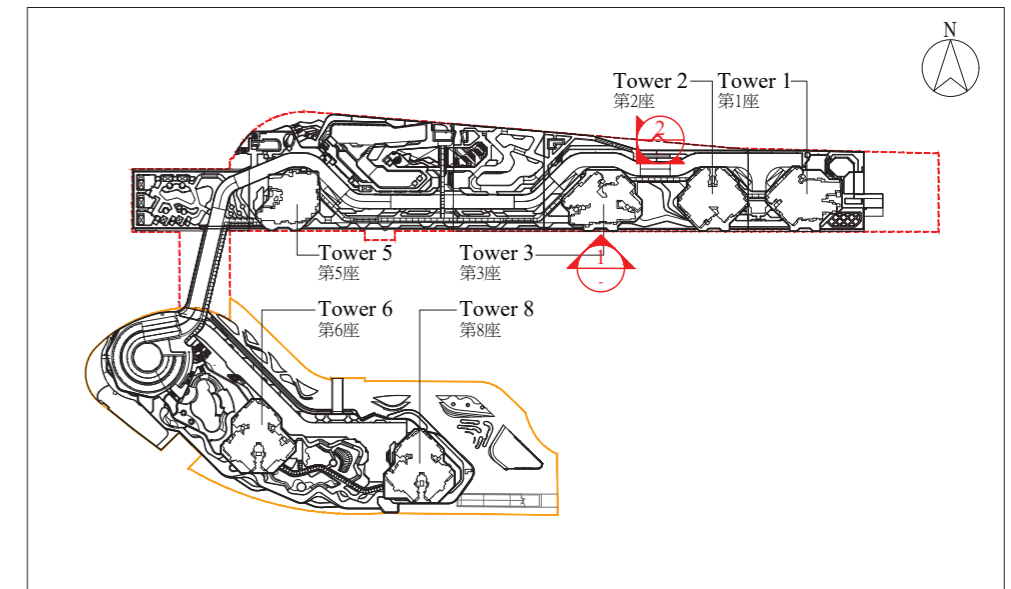
ELEVATION PLAN FOR THE PHASE

期數的立面圖



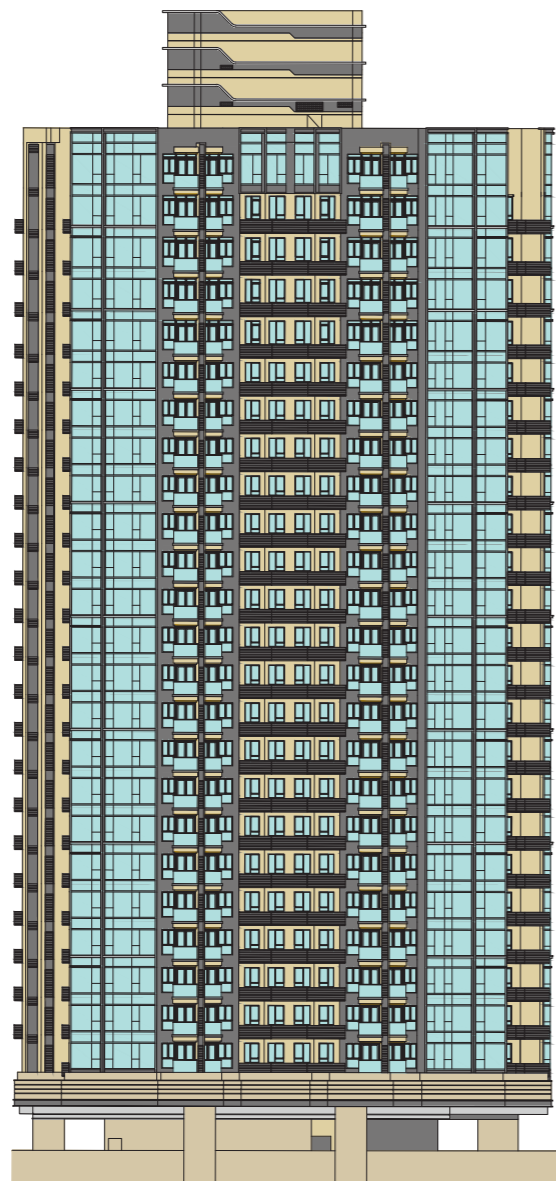
KEY PLAN

指示圖



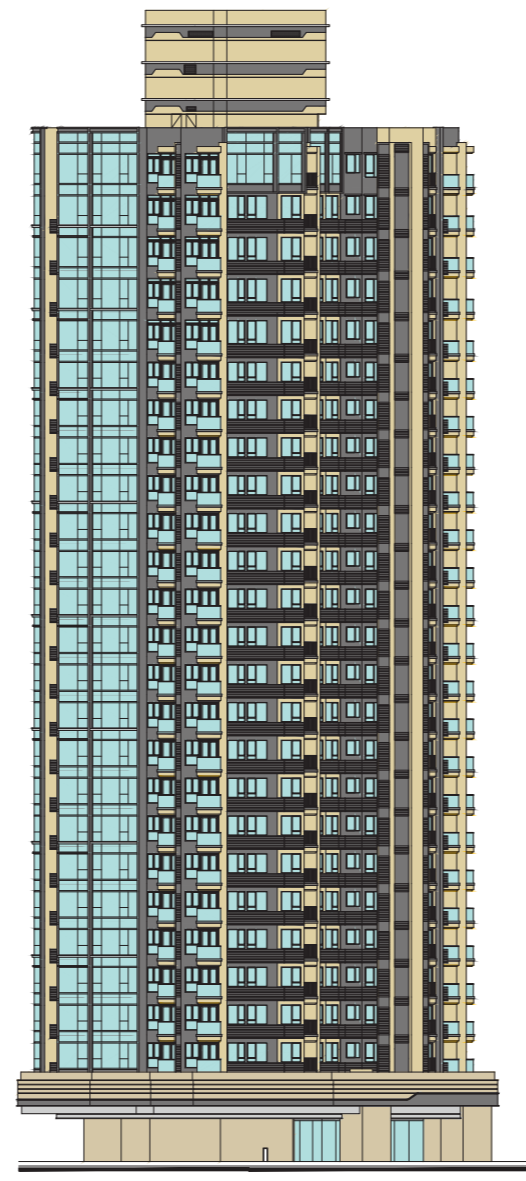
- The Phase
期數
- Other Phase(s)
其他期數

Tower 3
第3座



Elevation 1
立面 1

Tower 3
第3座



Elevation 2
立面 2

Authorized Person for the Phase certified that the elevations shown on this plan:

- (a) are prepared on the basis of the approved building plans for the Phase as of 30th November 2021 ; and
- (b) are in general accordance with the outward appearance of the Phase.

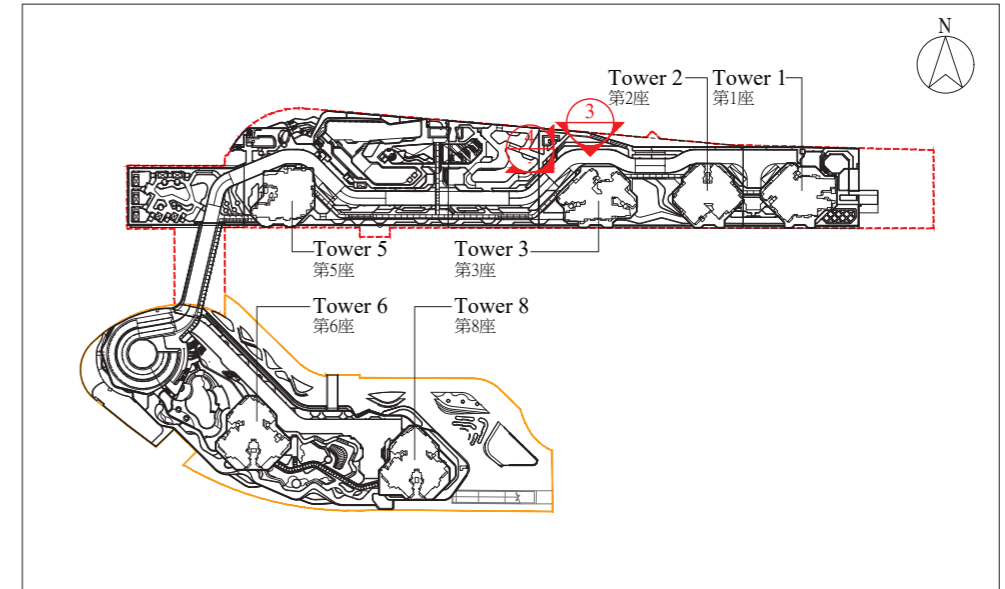
期數的認可人士證明本圖顯示的立面：

- (a) 以2021年11月30日的情況為準的期數的經批准的建築圖則為基礎擬備；及
- (b) 大致上與期數的外觀一致。

ELEVATION PLAN FOR THE PHASE
期數的立面圖

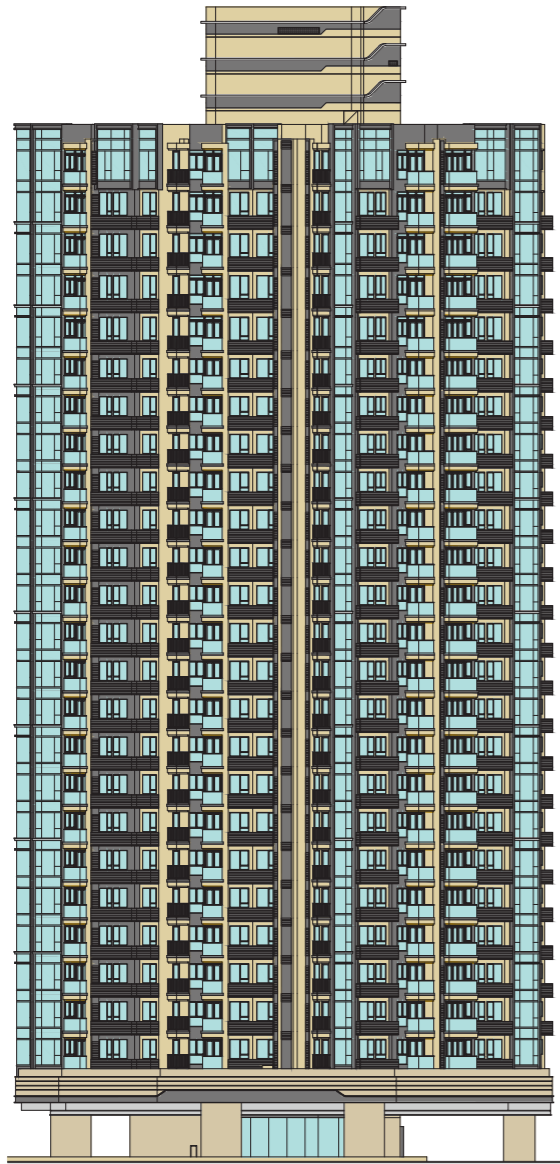


KEY PLAN
指示圖



- The Phase
期數
- Other Phase(s)
其他期數

Tower 3
第3座



Elevation 3
立面3

Tower 3
第3座



Elevation 4
立面4

Authorized Person for the Phase certified that the elevations shown on this plan:

- (a) are prepared on the basis of the approved building plans for the Phase as of 30th November 2021 ; and
- (b) are in general accordance with the outward appearance of the Phase.

期數的認可人士證明本圖顯示的立面：

- (a) 以2021年11月30日的情況為準的期數的經批准的建築圖則為基礎擬備；及
- (b) 大致上與期數的外觀一致。

ELEVATION PLAN FOR THE PHASE

期數的立面圖

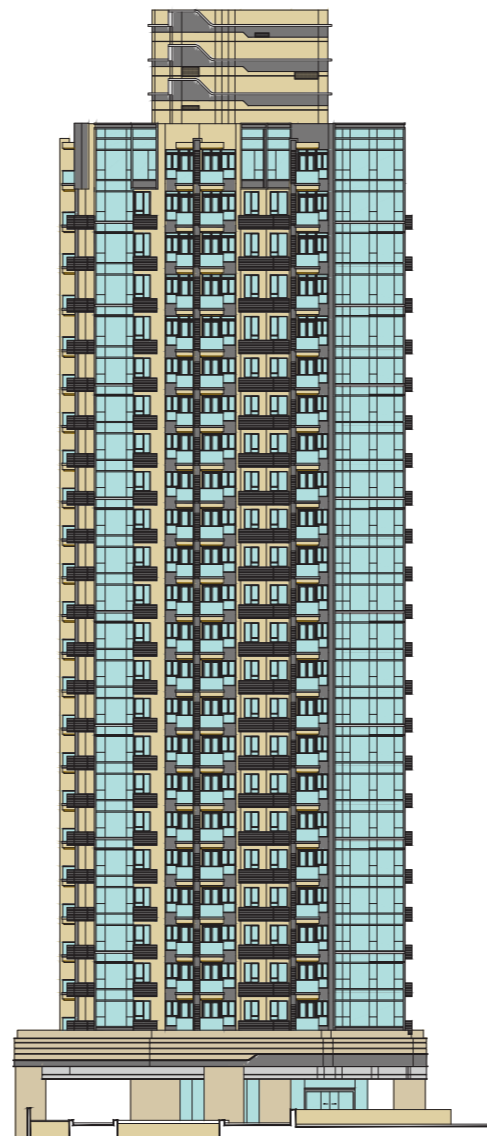


Tower 5
第 5 座



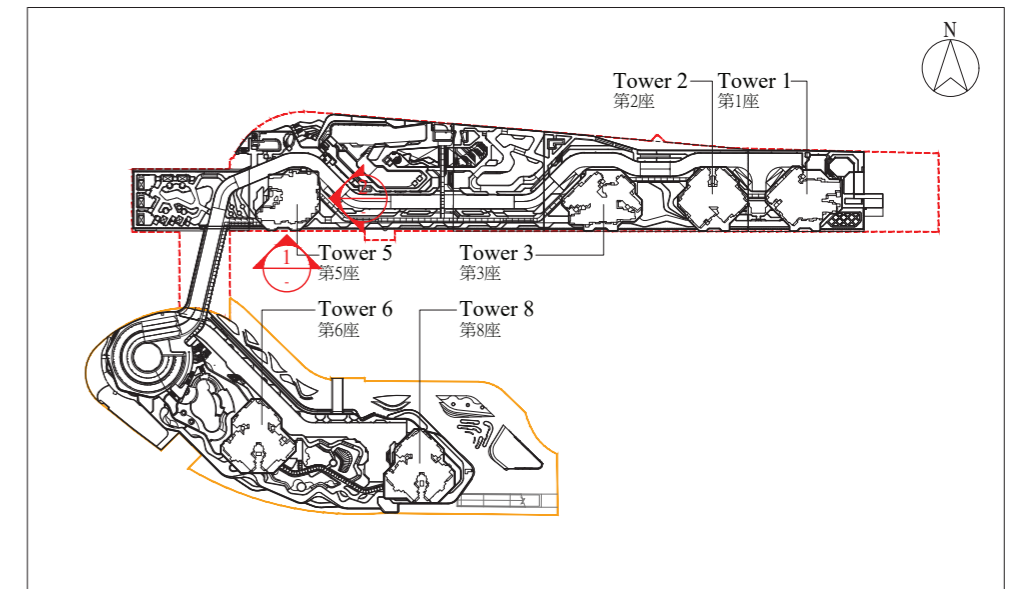
Elevation 1
立面 1

Tower 5
第 5 座



Elevation 2
立面 2

KEY PLAN
指示圖



- The Phase
期數
- Other Phase(s)
其他期數

Authorized Person for the Phase certified that the elevations shown on this plan:

- (a) are prepared on the basis of the approved building plans for the Phase as of 30th November 2021 ; and
- (b) are in general accordance with the outward appearance of the Phase.

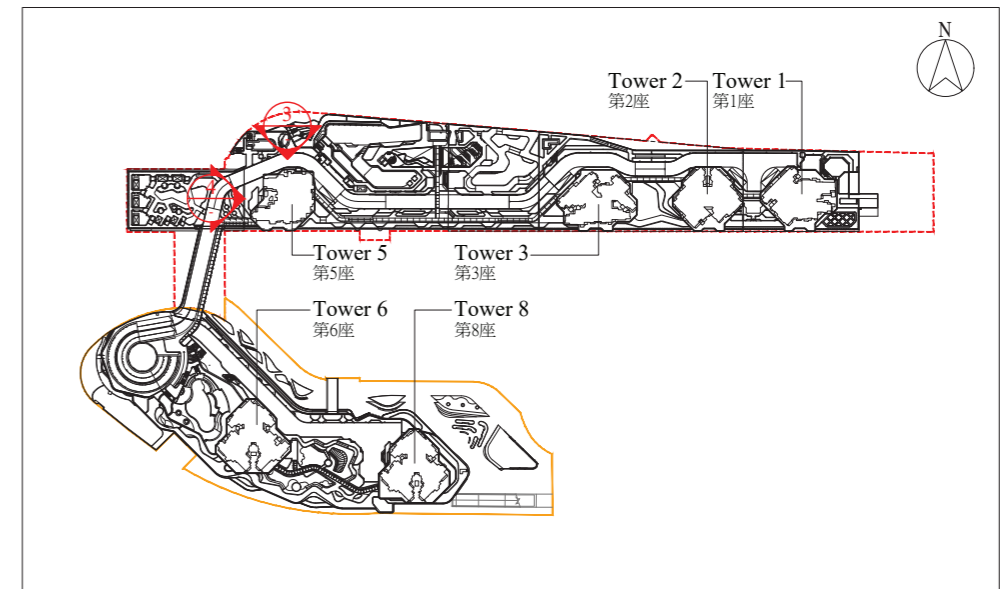
期數的認可人士證明本圖顯示的立面：

- (a) 以2021年11月30日的情況為準的期數的經批准的建築圖則為基礎擬備；及
- (b) 大致上與期數的外觀一致。

ELEVATION PLAN FOR THE PHASE
期數的立面圖

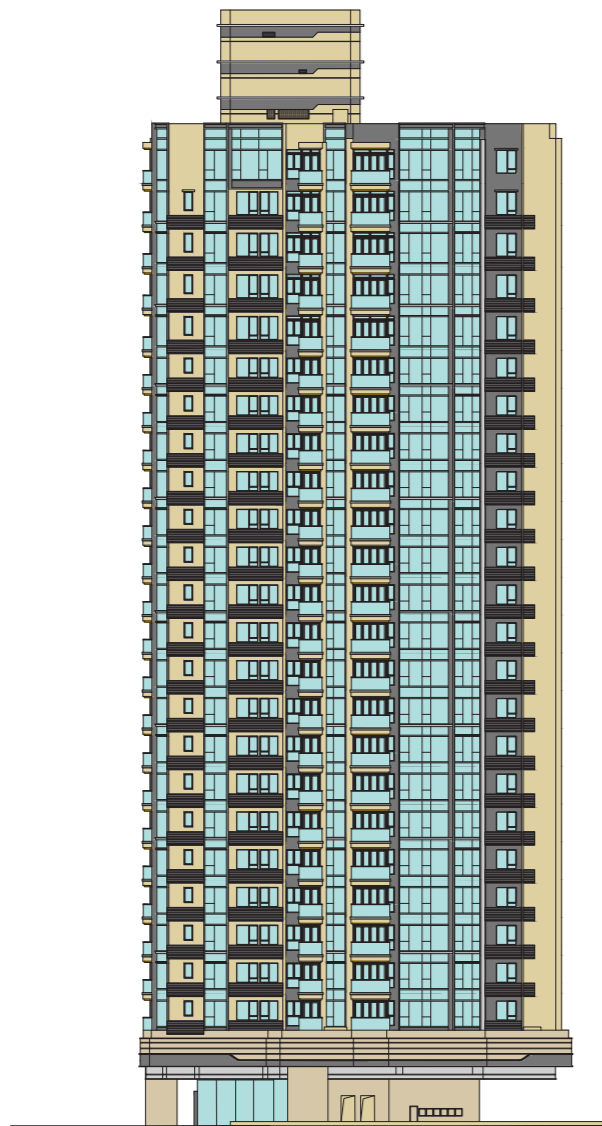
HUB

KEY PLAN
指示圖



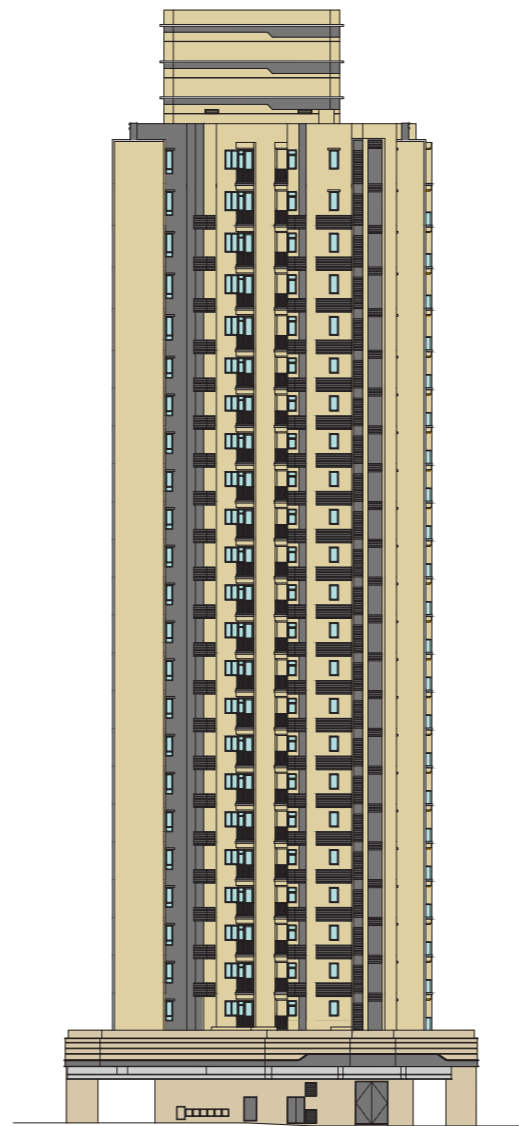
- The Phase
期數
- Other Phase(s)
其他期數

Tower 5
第 5 座



Elevation 3
立面 3

Tower 5
第 5 座



Elevation 4
立面 4

Authorized Person for the Phase certified that the elevations shown on this plan:

- (a) are prepared on the basis of the approved building plans for the Phase as of 30th November 2021 ; and
- (b) are in general accordance with the outward appearance of the Phase.

期數的認可人士證明本圖顯示的立面：

- (a) 以2021年11月30日的情況為準的期數的經批准的建築圖則為基礎擬備；及
- (b) 大致上與期數的外觀一致。